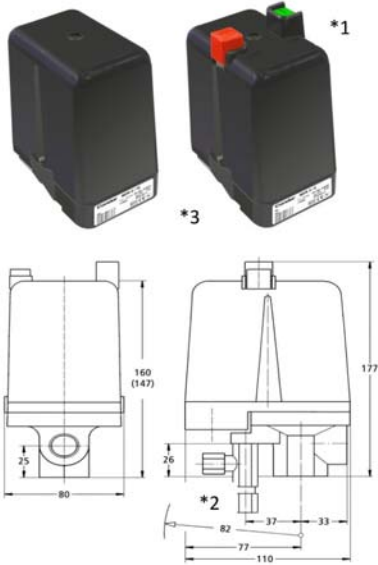




OPERATING INSTRUCTIONS MDR-5

Condor pressure switches were built according to the relative and approved regulations of the time period when they were developed and produced and are considered to be safe during operation. However, this device can present risks if it is used by personnel without specialist training, or is used inappropriately or in an unapproved manner. The **safety data sheet** and the local legal regulations are to be strictly observed. The pressure switches serve the surveillance and control of processes, operations of pumps and compressors in dependence on the prevailing pressure.

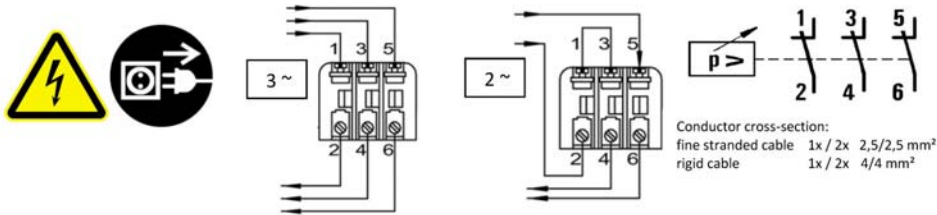


Technical Data (DIN EN 60947-4-1)	
Rated operational current I_e (U _e = 400 V)	16 A
Rated operational power (AC 3) U _e = 250 V (1~) / 400 V (3~) / 500 V (3~)	2,5 kW / 5,5 kW / 4 kW
Rated frequency	50 Hz / 60 Hz
Rated insulation voltage U _i	500 V
Rated conditional short-circuit current (U _e = 500 V)	3 kA
Pollution degree	3
Protection class	I
Mechanical durability operating cycles	> 5 x 10 ⁵
Maximum mechanical switching frequency operating cycles / h	600
Electrical durability (AC 3) operating cycles	> 1 x 10 ⁵
Rated operating mode (Class 120) operating cycles / h	120
Temperature range	-5°C - +80°C
Type "2" NH00 / gL	50 A
Contact material	Silver alloy

*1: For the MDR-5 with buttons, an overcurrent relay is absolutely necessary otherwise the shut off and on mechanism will not work.

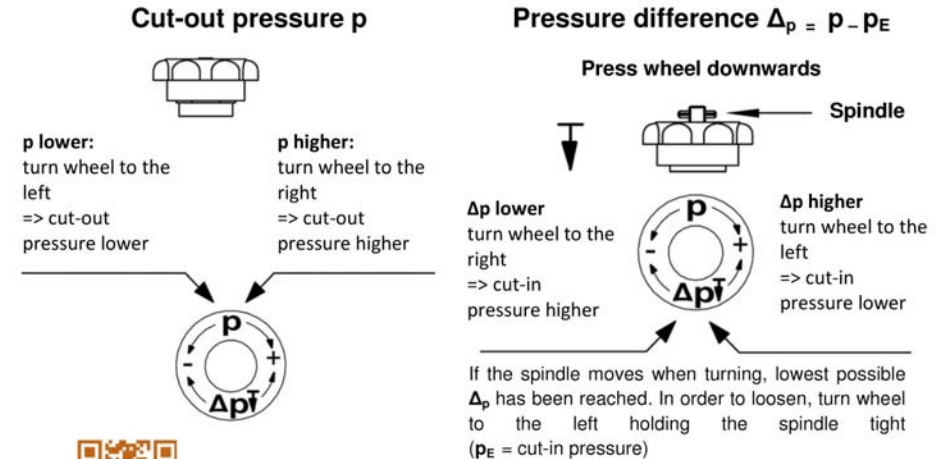
*2: If air out of the tank is released through the release valve after shutting off the switch, the non-return valve on the compressor is to be checked.

*3: The pressure values shown on the label are the factory settings set by Condor. These can be adjusted. See the pressure setting diagram.



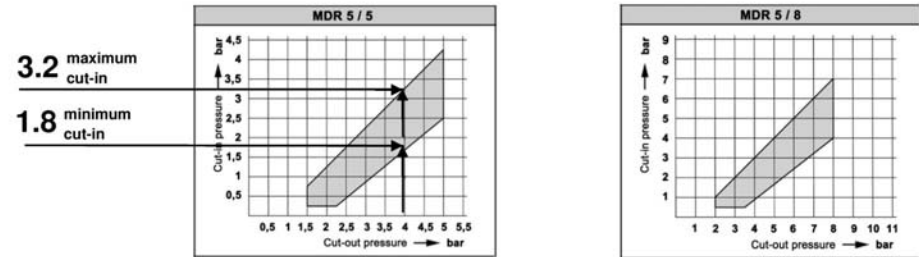
The following material are available for flanges:		
Die-cast aluminium	Plastic with stainless steel connector	Plastic with brass connector
Degree of protection: IP 54	Degree of protection: IP 65	Degree of protection: IP 65
Diaphragm: NBR	Diaphragm: EPDM	Diaphragm: EPDM
!!! Watch out for any electrochemical corrosion when connected with other metals !!!		

Caution: Pressure setting is only possible when applying pressure to the switch

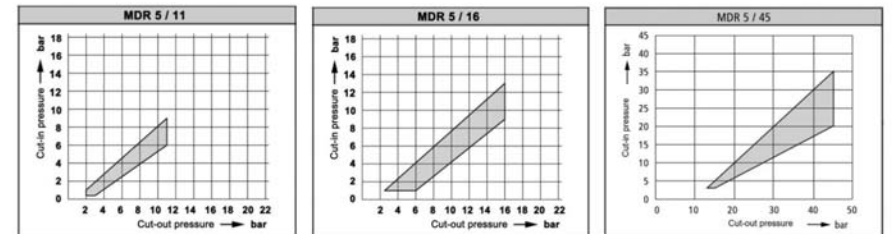


How-to videos: Adjust pressure values – You Tube
https://www.youtube.com/watch?v=7RRtp_A-VXQ

Pressure diagrams MDR 5



Example: Cut-out pressure $p = 4$ bar, cut-in pressure p_E between 1,8 and 3,2 bar possible, all values can be adjusted in the grey field.



Condor Pressure Control GmbH

Wareндorfer Straße 47 – 51
 D-59320 Ennigerloh

Phone: +49 (0) 2587 / 89-0
 Fax: +49 (0) 2587 / 89-140

info@condor-cpc.com
 www.condor-cpc.com