



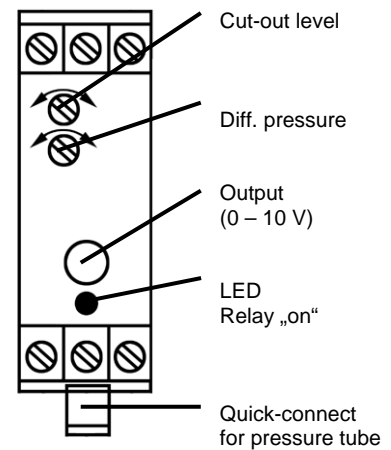
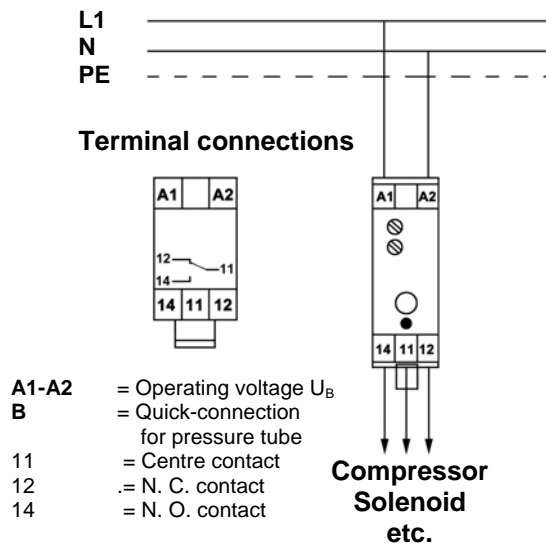
### Electronic pressure control EDR

Electronic pressure switch with integrated relative pressure sensor for panel board mounting, quick-connect for pneumatic tube, two fixed adjustable switching points, relay output (isolated SPDT), analogue voltage output 0-10 V via jack plug (look at accessories) and isolating transformer acc. to VDE 0550. Function: The device evaluates the applied pressure. On exceeding an upper threshold the relay is deactivated; when falling below a lower threshold the relay is activated again. Both thresholds are adjustable.



**The connection, commissioning and maintenance of the pressure switch must be under the guidance of appropriate personnel. Please note that for the construction and commissioning of electrical equipment relevant prevailing standards.**

### Circuit Diagram EDR



### Technical Data EDR

Technical operating data	
Permissible operating voltage range	±10 %
Operating voltage influence at ± 10% operating voltage fluctuation	< 0.1 %
Duty factor ED	100 %
Permissible ambient and media temperature	-20°C up to +60°C
Permissible ambient humidity rel. humidity, non-condensing	10 % up to 90 %
Permissible storage temperature	-40°C up to 80°C
Clearance and creepage distances	VDE 0110
Working position	any position
Power consumption	max. 1 VA

Pressure connection	
Quick-connect suitable pneumatic tube e.g.	6 x 1 mm Festo PAN

Output signal	
Analogue voltage signal max. 5 mA short-circuit proof	0 - 10 V

Enclosure	
Material	RABS flameproof, UL-approved
Mounting	snap on 35 mm DIN-rail connector acc. to EN 50 035
Enclosure-protection	IP 40
Protection against shock	acc. VBG 4
Terminals	Cage clamps
Cross section	2.5 mm <sup>2</sup>
Weight	135 g
Male jack plug Jack 2,5 mm	2.5 mm

Power section	
Series voltage acc. to VDE 0660 and VDE 0110 Group C	250 V-AC
Maximum continuous current per contact	6 A-AC
Maximum switching capacity per contact	1.500 VA (AC) 50 W (DC)
Mechanical life Cycles	approx. 1 x 10 <sup>7</sup>
Electrical life (max. load) Cycles	approx. 2 x 10 <sup>5</sup>

## Assembly and Adjustment

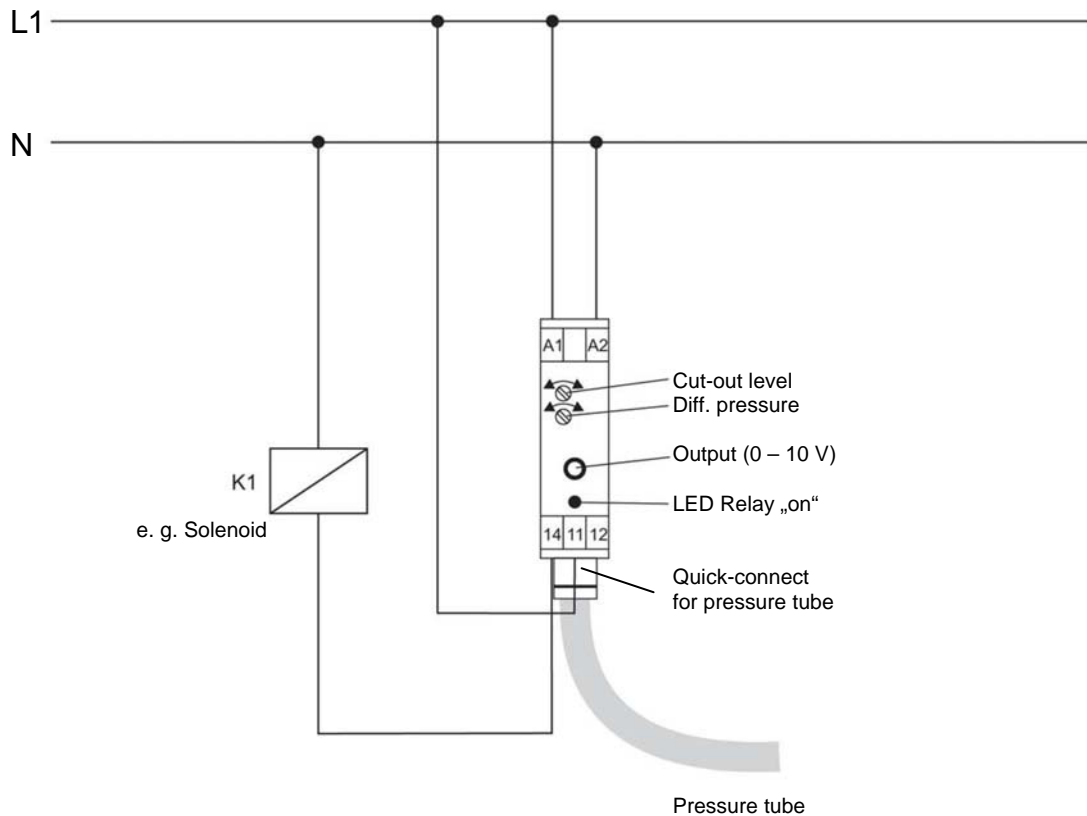
1.) For the correct function of the measurement system is the tightness of the connection significantly. Therefore, the tube must be cut straight and may not have scratches at the end. The tube must be inserted fully into the connector. Thereby unplug the ring! It should be noted that the tube has to be pushed over the first resistance of the plug connection. Only then the tube is completely connected

2.) Recommended tube Festo PAN 6 x 1

## Applications

The EDR turns on, for example, a solenoid valve when the lower level is reached. When reaching the upper threshold the solenoid valve will be turned off again. The upper and lower level will be set with the potentiometers. At the terminal (2.5 mm jack plug, analogue voltage signal 0 .. 10V), could be connected for example a digital display.

## Circuit Diagram, example



**Condor Pressure Control GmbH**

Warendorfer Straße 47 – 51  
D-59320 Ennigerloh

Phone: +49 (0) 25 87 / 89 – 0  
Telefax: +49 (0) 25 87 / 89 - 140

info@condor-cpc.com  
www.condor-cpc.com