



Multifunction timer relay IMF

The multifunction timer relay IMF is specifically designed for rough industrial environments. All inputs and outputs are both interference free and non-destructive at voltage surges of up to 2.000 V. Contact activation may be carried out not only by conventional means such as a voltage-free contact (between A1 and B1), but also by applying the operating voltage to B1. This helps to reduce wiring and contact requirements of the control and prevents destruction of the devices due to faulty wiring.

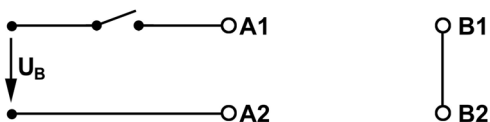
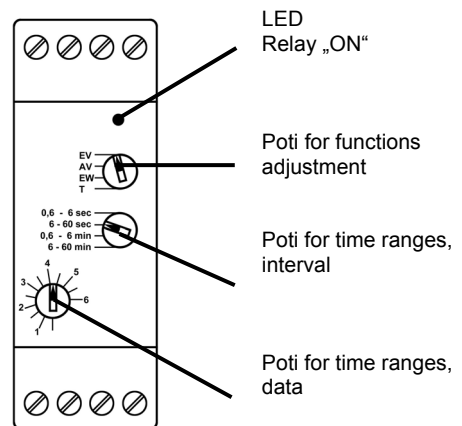
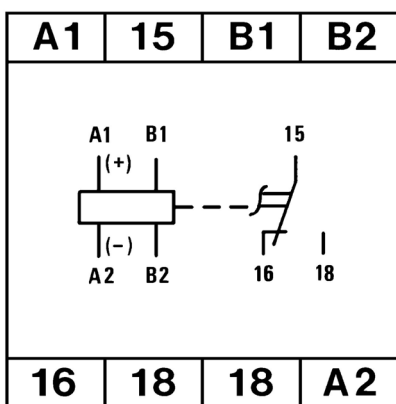


The connection, commissioning and maintenance of the multifunction timer relay must be under the guidance of appropriate personnel. Please note that for the construction and commissioning of electrical equipment relevant prevailing standards.

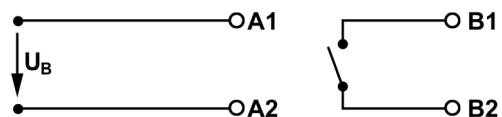
Adjustable functions:

delay on make, delay on break, on-delay single shot and flashing

Circuit Diagram IMF



Bridge B1 B2



Activation via a voltage-free contact.

Attention!

Switching to a new function during operation may lead to the activation of an incorrect function. The correct function is only stored on re-activation of the supply voltage control.

Technical Data IMF

Technical operating data	
Operating voltage U_B (V-AC – DC)	13,5 - 240
Time	0,6 s – 60 min
Stufenlos einstellbar	
Permissible operating voltage range	$\pm 10\%$
Operating voltage influence at $\pm 10\%$ operating voltage fluctuation	$< 0,5\%$
Duty factor ED	100%
Permissible ambient and media temperature	- 20°C bis +60°C
Permissible ambient humidity rel. humidity, non-condensing	10% bis 90%
Permissible storage temperature	- 40°C bis +80°C
Clearance and creepage distances	VDE 0110

Enclosure data	
Material	RABS flameproof, UL- approved
Mounting	snap on 35 mm DIN-rail connector acc. to EN 50 035
Enclosure-protection	IP 40
Protection against shock	acc. VBG 4
Terminals	Screw clamps
Cross-section	2.5 mm ²
Weight	75 g

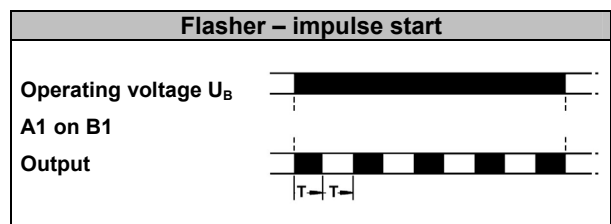
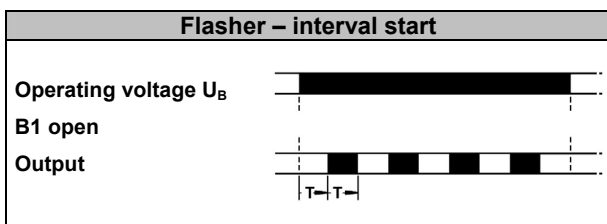
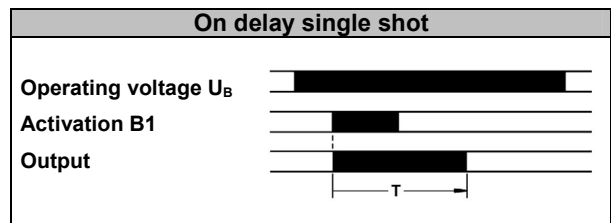
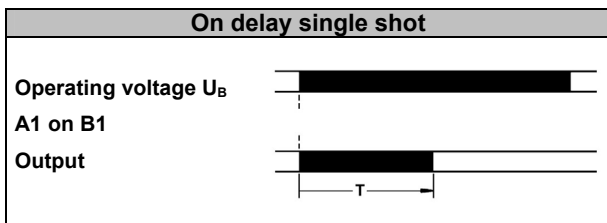
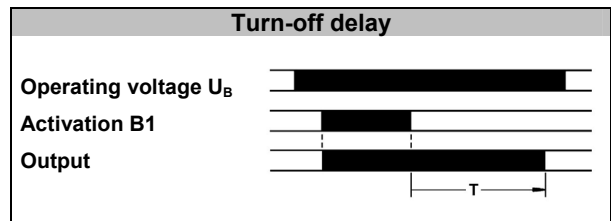
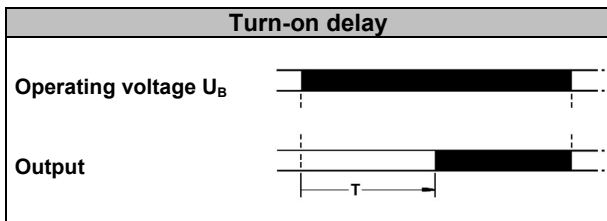
Technical operating data	
Working position	any position
Power consumption	approx. 2 VA

Output contacts	
Series voltage acc. to VDE 0660 and VDE 0110 Group C	250 V-AC
Maximum continuous current 1-change-over, 2-change-over	6 A-AC
Maximum switching capacity per contact	1.500 VA (AC) 50 W (DC)
Mechanical life Cycles	approx. 1 x 10 ⁷
Electrical life (max. load) Cycles	approx. 2 x 10 ⁵

General data	
Tolerance range	$\pm 10\%$
Repeatability	$\pm 0.5\%$
Temperature range	approx. 0.2 % / °C
Recovery time	< 100 ms

Time ranges	
Initial value	End value
0.6 s	6 s
6 s	60 s
0.6 min	6 min
6 min	60 min

Functional Overview IMF



Condor Pressure Control GmbH

Warendorfer Straße 47 – 51
D-59320 Ennigerloh

Phone: +49 (0) 25 87 / 89 - 0
Telefax: +49 (0) 25 87 / 89 - 140

info@condor-cpc.com
www.condor-cpc.com